

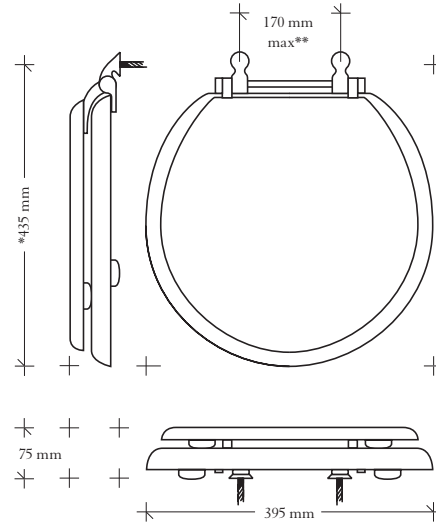
DIMENSIONS

TIPS ON MEASURING FOR YOUR NEW LOO SEAT

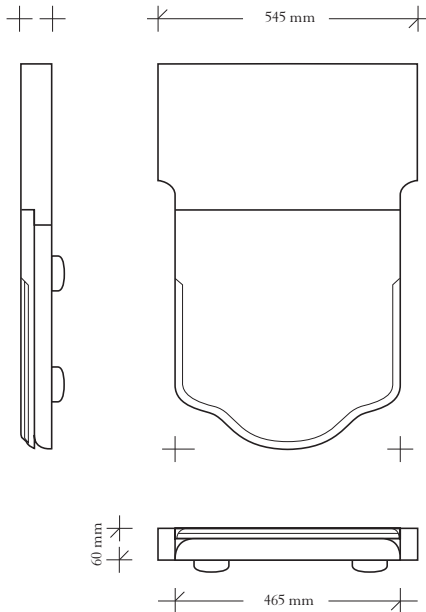
Firstly measure your WC bowl and not your existing seat. This will allow us to advise which seat will best fit your WC. It is normal that the seat will overhang the china bowl by up to one inch at the sides and front.

- * 415 mm with standard hinge pillars
- ** Can be altered to 185 mm fixed
- *** 435 mm with cranked pillars
- **** 455 mm with cranked pillars

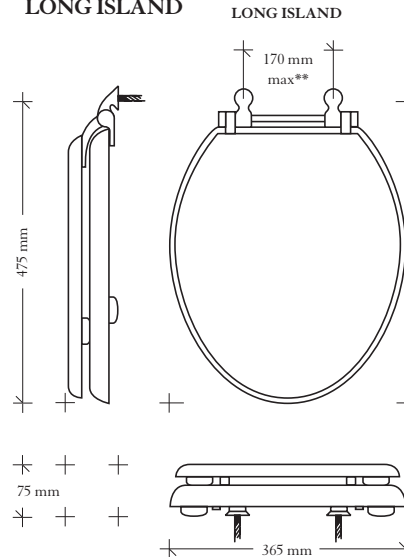
FRANKLIN



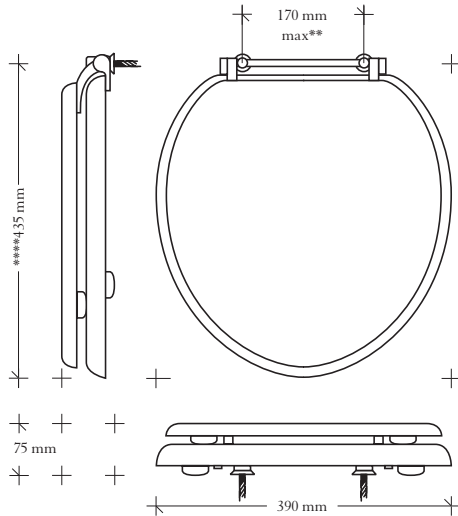
CLASSIC THUNDERBOX



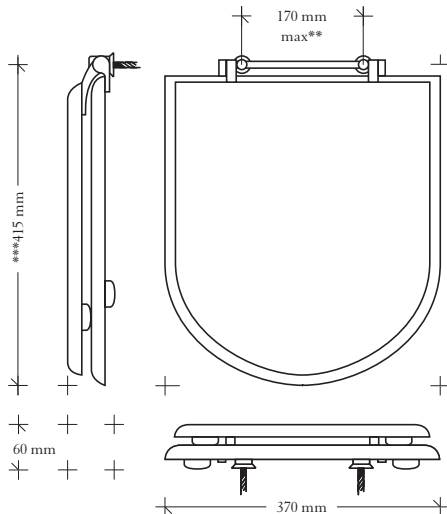
LONG ISLAND



ALBANY



CONNAUGHT



THUNDERBOXES.

(E) As the seat fixes to the wall, please measure the distance from the wall, behind the WC and under the cistern (excepting and only with a ducted cistern, in which case it is the panel in front of the cistern) – straight forward to the front outside edge of the china bowl.

(B) Measure the width across the china bowl at the widest part from outside edge to edge.

As the seat fixes to the wall, the Thunderbox is not suitable for use with close-coupled suites (where the china cistern sits directly on the WC bowl with no visible flush pipe).

Where the flush pipe runs down the wall into the back of the WC bowl a slot will have to be cut, on site, to accommodate this.

When fixing your cistern be sure that the flush lever is sufficiently high so as not to interfere with the seat lid when raised.

CONVENTIONAL SEATS.

We use the line between the fixing holes in the back of the WC pan as a base line. Please take your measurements using this as a datum.

(A) Measure from this line forward to the front outside edge of the china bowl.

(B) Measure the width across the china bowl at the widest part from outside edge to edge.

(C) Measure the distance between the fixing holes from centre to centre. Remember to check that you have access under the back of the pan, to be able to tighten the seat fixing wing nuts, by hand.

(D) Using a plumb line down the front of the cistern, measure from the fixing holes back to the line of the front of the cistern.

